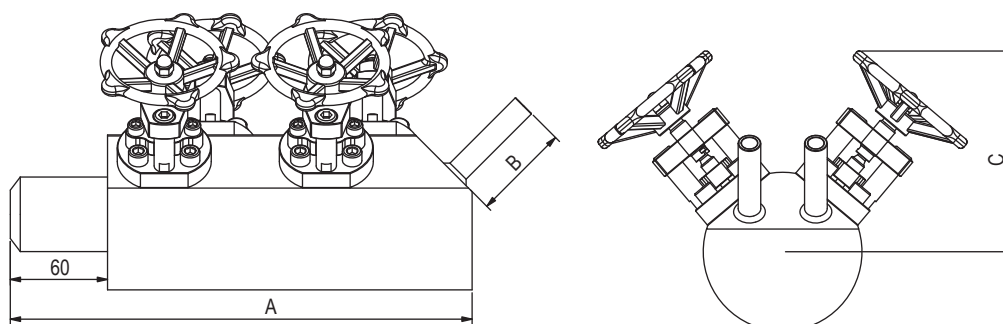


## 20492S Series



Basic Ordering Number	Connection Type and Size		Orifice (mm)	Cv	Dimensions(mm)		
	Inlet	Outlet			A	B	C
20492S-90108-80214	1/2" PBW	14mmTBW	11.00	2.52	285.0	60.0	224.0
20492S-90108-81214	1/2" PBW	14mmTSW					
20492S-90112-80214	3/4" PBW	14mmTBW					
20492S-90112-81214	3/4" PBW	14mmTSW					

### Features

- Design standards are referenced ASME B16.34,API602,ASME B16.25,ASME B16.11.
- One-Piece body with two double PSB-BG-OS&Y globe valves.
- Disc faced with STL.
- Non-Rotating disc is standard.
- The valve has a compact structure and a small size. Compared to traditional valves, it is lighter in weight and does not require additional support.
- Measurement becomes more accurate.
- Installation is more convenient.
- Each handwheel can be replaced independently.

### Ordering Information

- Standard body material is 316 SS, and stem packing is PTFE for temperature services 250 °C, Class 2500. Add material designator as the suffix to the basic ordering number to get the complete ordering number. Example: 20492S-90108-80214
- To order Graphite stem packing for temperature services 648 °C, add a designator as a suffix to the ordering number. Example: 20492S-90108-80214-P30
- Contact the authorized representative or DECON if any request.

Material	Designator	Packing	Designator
316 SS	-B100	PTFE	-P10
304 SS	-B110	PEEK	-P20
321 SS	-B120	Graphite	-P30
Monel	-B270		